

## TECHNICAL DATASHEET

### CAPRI CAPRI BATH SHOWER MIXER

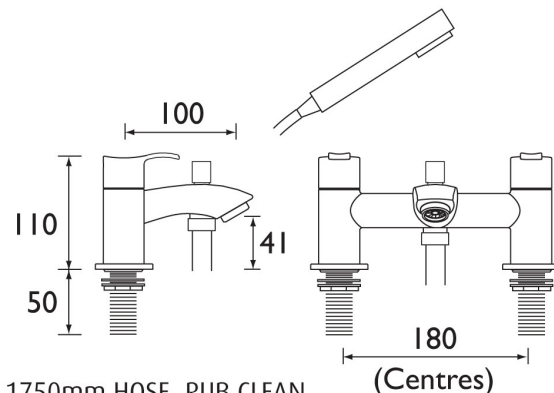
#### Product Specification

<b>Product Code:</b>	CAP BSM C
<b>Finishes:</b>	Chrome
<b>Product Type:</b>	Contemporary
<b>Construction:</b>	Bodies are of all brass construction and are designed to conform to BS EN 200
<b>Valve Type:</b>	¾", ¼ turn ceramic disc valves
<b>Supply:</b>	Suitable for all plumbing systems, ideally balanced
<b>Inlet Connections:</b>	¾" BSP
<b>Water Pressure:</b>	Min. 0.3 bar, Max. 8.0 bar
<b>Dimensions for Fitting:</b>	180mm (inlet centres)



#### Additional Information

- Supplied with metal handles
- Chrome plated to BS EN 248
- Supplied with single function rub clean handset, 1.75m hose & wall bracket
- Operates at a minimum pressure of 0.3bar to bath fill



1750mm HOSE, RUB CLEAN HANDSET & WALL BRACKET

**Technical Advice:** For further information please call 0844 7016273 or email [customer@bristan.com](mailto:customer@bristan.com).  
**Guarantee:** 5 years covering manufacturing faults.

#### Compliance/Approvals

**WRAS:** Pending

#### Flow Rates (litres per minute)

System Pressure	0.3bar	0.5bar	1bar	2bar	3bar	5bar
CAP BSM C (Mixed)	16.0	20.9	30.2	43.0	52.7	68.0
CAP BSM C (Handset)	5.0	6.8	10.1	15.3	19.6	27.3