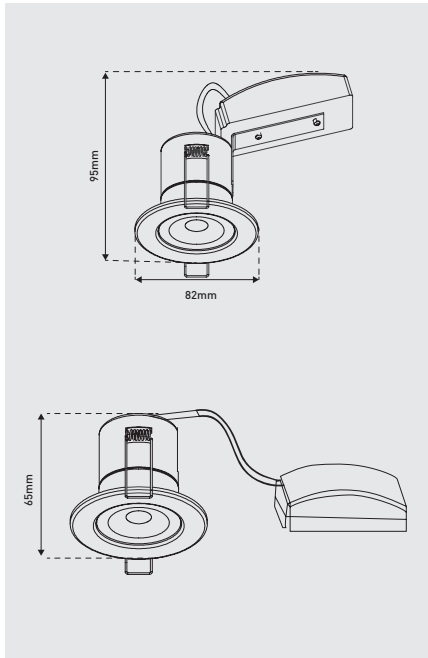


FECO FIXED LED DOWNLIGHT

- LED integrated downlight with clip & fit terminal block
- Fully tested to 30,60 and 90 min fire rating
- Choice of flat bezel finishes



IP65 RATED

DIMMABLE

Cutout
65mm


25,000 HOURS

3 year
standard
WARRANTY


CAT NO.	BEZEL COLOUR	LUMINAIRE LUMENS	WATTAGE	COLOUR TEMP
EFTE45W30	Gloss White	450	5W	3000K
EFTE45W40	Gloss White	450	5W	4000K
EFTE45BS30	Brush Steel	450	5W	3000K
EFTE45BS40	Brush Steel	450	5W	4000K
EFTE45PC30	Polish Chrome	450	5W	3000K
EFTE45PC40	Polish Chrome	450	5W	4000K

	LENGTH / DIA (mm)	WIDTH (mm)	HEIGHT / DEPTH (mm)	WEIGHT (kg)	L FIXING CENTRES (mm)	W FIXING CENTRES (mm)	CEILING CUTOOUT (mm)	LUMINAIRE LUMENS (Llm)	LUMINAIRE WATTAGE (W)	EFFICACY (Llm/W)	CCT (K)	CRI	UGR	IP RATED	IK RATED	GLOW WIRE (°C)	RAL COLOUR	TEMP RANGE (°C)	RATED LIFE (HR)	AMBIENT TEMP. RATED LIFE (°C)	L AT RATED LIFE	B AT RATED LIFE	VOLTAGE RANGE	FREQUENCY	EMERGENCY PACK CODE	WARRANTY (YEARS)
EFTE45W30	82	N/A	90mm	0.22	N/A	N/A	65mm	450	5W	90	3000K	>80	N/A	IP65	N/A	N/A	N/A	0-30°C	25,000	25	70	50	220-240V	50hz	N/A	3
EFTE45W40	82	N/A	90mm	0.22	N/A	N/A	65mm	450	5W	90	4000K	>80	N/A	IP65	N/A	N/A	N/A	0-30°C	25,000	25	70	50	220-240V	50hz	N/A	3
EFTE45BS30	82	N/A	90mm	0.22	N/A	N/A	65mm	450	5W	90	3000K	>80	N/A	IP65	N/A	N/A	N/A	0-30°C	25,000	25	70	50	220-240V	50hz	N/A	3
EFTE45BS40	82	N/A	90mm	0.22	N/A	N/A	65mm	450	5W	90	4000K	>80	N/A	IP65	N/A	N/A	N/A	0-30°C	25,000	25	70	50	220-240V	50hz	N/A	3
EFTE45PC30	82	N/A	90mm	0.22	N/A	N/A	65mm	450	5W	90	3000K	>80	N/A	IP65	N/A	N/A	N/A	0-30°C	25,000	25	70	50	220-240V	50hz	N/A	3
EFTE45PC40	82	N/A	90mm	0.22	N/A	N/A	65mm	450	5W	90	4000K	>80	N/A	IP65	N/A	N/A	N/A	0-30°C	25,000	25	70	50	220-240V	50hz	N/A	3

LUCECO




This luminaire contains built-in LED lamps.



LED

The lamps cannot be changed in the luminaire.

874/2012 

STANDARDS

EN 60598-1	Luminaires - General requirements
EN 60598-2-2	Luminaires - Recessed
EN 60598-2-22	Luminaires - Emergency
EN 61347-1	Lamp controlgear - Part 1: General and safety requirements
EN 61347-2-13	Lamp controlgear - Part 2-13 : Particular requirements for d.c. or a.c. supplied electronic controlgear for LED modules
EN 55015	Limits and methods of measurement of radio disturbance characteristics of electrical lighting and similar equipment
EN 61547	Equipment for general lighting purposes - EMC immunity requirements
EN 61000-3-2	Electromagnetic compatibility (EMC) - Part 3-2: Limits - for harmonic current emissions
EN 62471	Photobiological safety of lamps and lamp systems
2002/96/EC	Waste Electrical & Electronic Equipment (WEEE)
2011/65/EU	Restriction of the use of certain Hazardous Substances in EEE (RoHS)
(EC) No 1907/2006	The Registration, Evaluation, Authorisation and Restriction of Chemicals (REACH)



RoHS



