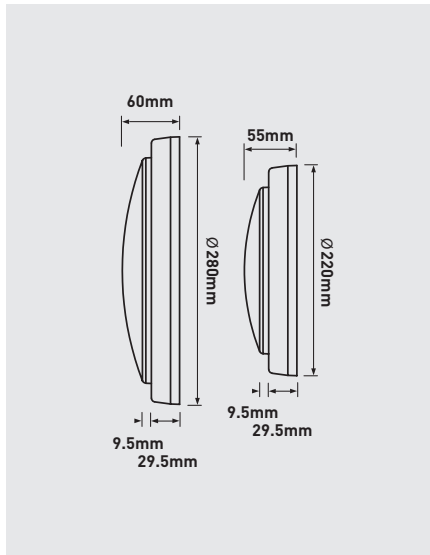
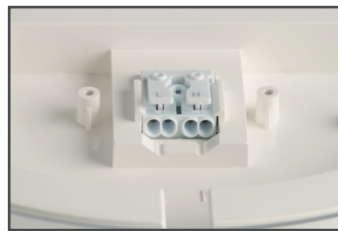


# DECORATIVE INDOOR BULKHEAD

- IP54 rated ideal for bathrooms, utility and decorative installations
- Easy quick installation - Wall or Ceiling Mountable
- Suitable for most residential and commercial applications including bathroom/toilets, hallways, corridors and functional utility
- Supplied with both White and Chrome interchangeable bezels
- Piano key push fit terminal block



CAT NO.	SIZE	LUMINAIRE LUMENS	WATTAGE	EFFICACY Llm/W
EBH22S40	Ø220mm	1300	14W	93
EBH28S40	Ø280mm	1650	17W	97



Loop in / loop out push fit terminal

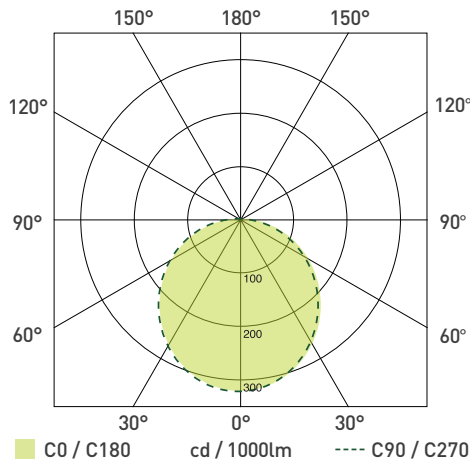
	LENGTH / DIA (mm)	WIDTH (mm)	HEIGHT / DEPTH (mm)	WEIGHT (kg)	L FIXING CENTRES (mm)	W FIXING CENTRES (mm)	CEILING CUTOUT (mm)	LUMINAIRE LUMENS (Llm)	LUMINAIRE WATTAGE (W)	EFFICACY (Llm/W)	CCT (K)	CRI	UGR	IP RATED	IK RATED	GLOW WIRE (°C)	RAL COLOUR	TEMP RANGE (°C)	RATED LIFE (HR)	AMBIENT TEMP. RATED LIFE (°C)	L AT RATED LIFE	B AT RATED LIFE	VOLTAGE RANGE	FREQUENCY	EMERGENCY PACK CODE	WARRANTY (YEARS)
EBH22S40	220	55	29.5	0.5	N/A	N/A	N/A	1300	14	93	4000	>80	≤24	IP54	IK08	N/A	9016	-20+40	25,000	25	70	10	220-240V	50hz	N/A	3
EBH28S40	280	60	29.5	0.8	N/A	N/A	N/A	1650	17	97	4000	>80	≤24	IP54	IK08	N/A	9016	-20+40	25,000	25	70	10	220-240V	50hz	N/A	3

## EHB22S40

### LUMINAIRE PERFORMANCE

Light Output Ratio: 99.89%  
 Luminaire Efficacy: 92.75 lm/W  
 Light Distribution: A41 ↓97.9% ↑2.1%  
 CIE Flux Codes: 44 74 92 98 100  
 UGR 4H 8H (20%, 50%, 70%)C0 / C90: 26.8 / 26.9

### LUMINOUS INTENSITY

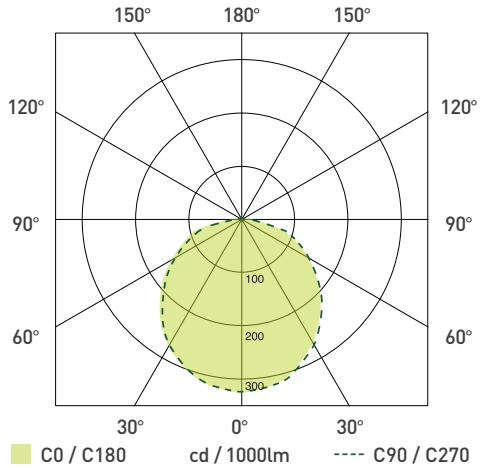


## EHB28S40

### LUMINAIRE PERFORMANCE

Light Output Ratio: 100%  
 Luminaire Efficacy: 97.06 lm/W  
 Light Distribution: A41 ↓97.9% ↑2.1%  
 CIE Flux Codes: 44 75 92 98 100  
 UGR 4H 8H (20%, 50%, 70%)C0 / C90: 25.2 / 25.2

### LUMINOUS INTENSITY



**LUCECO**

This luminaire contains built-in LED lamps.

} LED

A++

A+

A

B

C

D

E

The lamps cannot be changed in the luminaire.

874/2012

### STANDARDS

EN 60598-1	Luminaires - General requirements
EN 60598-2-1	Luminaires - Fixed
EN 60598-2-2	Luminaires - Recessed
EN 60598-2-22	Luminaires - Emergency
EN 61347-1	Lamp controlgear - Part 1: General and safety requirements
EN 61347-2-13	Lamp controlgear - Part 2-13 : Particular requirements for d.c. or a.c. supplied electronic controlgear for LED modules
EN 55015	Limits and methods of measurement of radio disturbance characteristics of electrical lighting and similar equipment
EN 61547	Equipment for general lighting purposes - EMC immunity requirements
EN 61000-3-2	Electromagnetic compatibility (EMC) - Part 3-2: Limits - for harmonic current emissions
EN 62471	Photobiological safety of lamps and lamp systems
2002/96/EC	Waste Electrical & Electronic Equipment (WEEE)
2011/65/EU	Restriction of the use of certain Hazardous Substances in EEE (RoHS)
(EC) No 1907/2006	The Registration, Evaluation, Authorisation and Restriction of Chemicals (REACH)

CE
RoHS