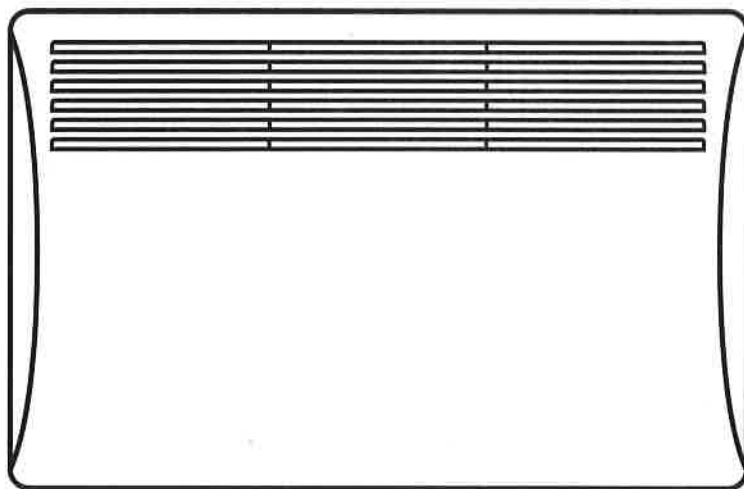




Product Instruction Manual

# Accona



**AC500T, AC1000T, AC1500T, AC2000T, AC2400T**  
Panel heater

Thank you for purchasing a Hyco Accona panel heater. Please ensure you read and understand these instructions to ensure safe installation and operation.

The Accona is ideal for a wide range of fixed installation heating applications in the home and office environment. The Accona is ecodesign compliant; energy saving features include open window detection and a 24/7 electronic timer.

#### Key Features

- Slimline, modern, curved design
- 24/7 electronic timer
- Reduced energy wastage with open window detection
- Frost protection feature
- Full or half power setting
- IP24 splashproof

## 1. Important safety points

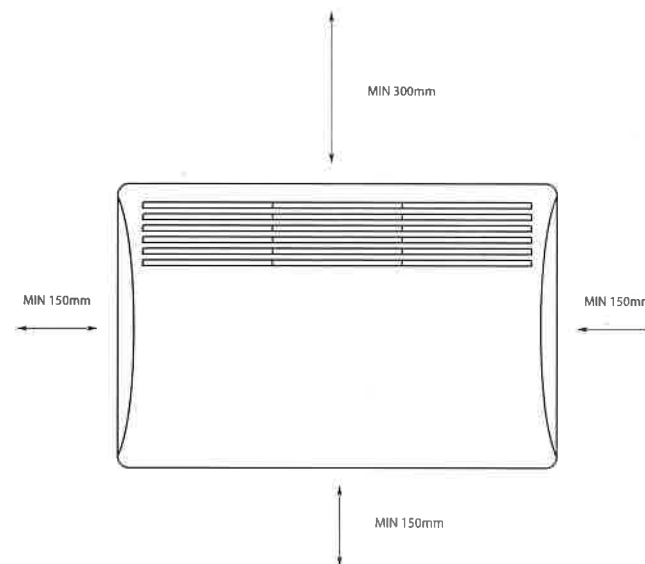
- ⚠ The electrical installation must be carried out by a qualified electrician in accordance with the current edition of the I.E.E. Wiring Regulations.
- ⚠ Only connect the unit to a single-phase supply with a mains voltage as specified on the rating plate.
- ⚠ If the heater is located in a bathroom, it must be installed so that switches and other controls cannot be touched by a person in the bath or shower.
- ⚠ Only use the mounting bracket supplied and do not modify the bracket in any way.
- ⚠ WARNING: To avoid overheating, do not cover the heater.
- ⚠ The supply cord cannot be replaced by the user. If the cord is damaged the appliance should be returned to the manufacturer or an authorised service agent for replacement.
- ⚠ The heater must not be located immediately below or above an electrical socket outlet.

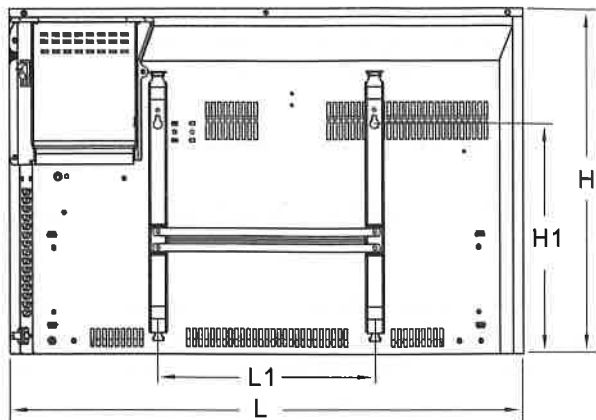
- ⚠ This appliance can be used by children aged from 8 years and above and persons with reduced physical, sensory or mental capabilities or lack of experience and knowledge if they have been given supervision or instruction concerning use of the appliance in a safe way and understand the hazards involved.
- ⚠ Children of less than 3 years should be kept away unless continuously supervised.
- ⚠ Children aged from 3 years and less than 8 years shall only switch on/off the appliance provided it has been placed or installed in its intended normal operating position and they have been given supervision or instruction concerning use of the appliance in a safe way and understand the hazards involved. Children aged from 3 years and less than 8 years shall not plug in, regulate and clean the appliance or perform user maintenance.
- ⚠ CAUTION: Some parts of this product can become very hot and cause burns. Particular attention must be given where children and vulnerable people are present.

## 2. Installation

### Wall Mounting

- Select a suitable location for the install and ensure the minimum spaces around the heater are maintained to ensure good airflow and safe operation of the heater.

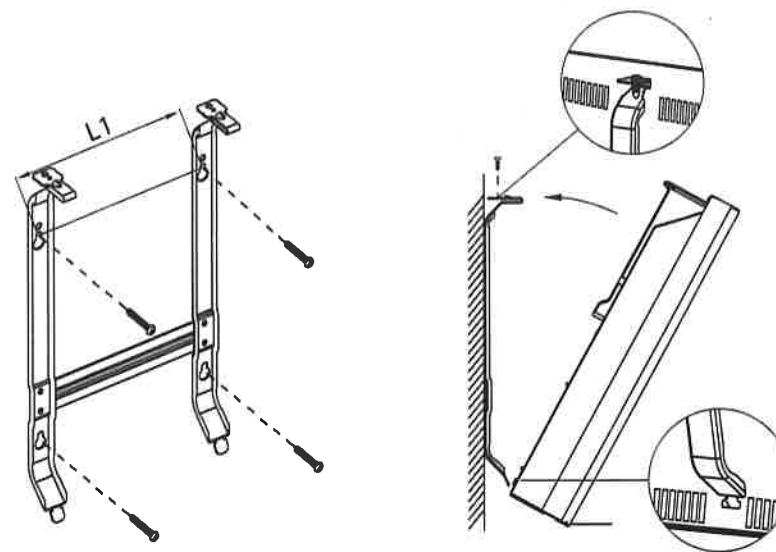




Model	Power (W)	L mm	H mm	L1 mm	H1 mm
AC500T	500/250	460	400	155	254
AC1000T	1000/500	460	400	155	254
AC1500T	1500/750	595	400	250	254
AC2000T	2000/1000	830	400	250	254
AC2400T	2400/1200	950	400	250	254

- Remove the bracket from the reverse of the heater by pinching the two tabs at the top to release it from the unit, and then unhooking the lower two tabs by tilting the bracket away from the heater.
- Ensuring a horizontal level, offer the bracket to the wall and mark the four holes located at each corner of the bracket.
- Drill the four holes in the mounting surface and insert the wall plugs supplied.
- Offer the bracket up to the holes before inserting the four screws supplied. Ensure the screws are fully tightened and that the bracket holds firm to the wall.
- Offer the heater to the bracket and locate the lower bracket lugs into the corresponding slots in the back of the heater by tilting the heater forward.

- Once the lower lugs are located, tilt the heater back towards the bracket and align the upper bracket lugs into the corresponding slots at the top of the heater.
- Insert the screws into the upper lug holes and screw down until the heater is locked into place.



### Electrical installation

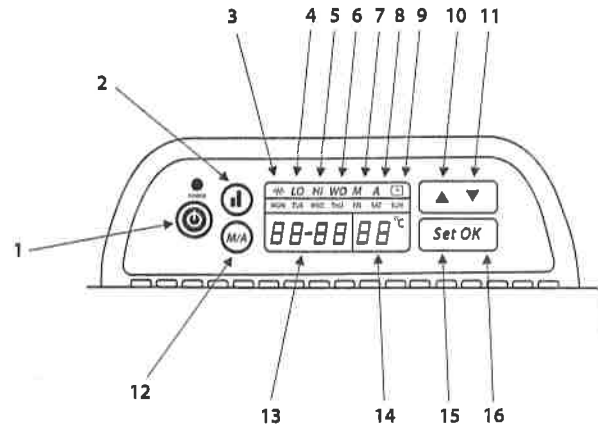


The electrical installation must be carried out by a qualified electrician in accordance with the current edition of the I.E.E. Wiring Regulations.

- Connection should be made to the fixed wiring of the property via a double pole fused spur with a break capacity of no less than 13amps.
- Electrical connections should be made as follows:  
Green/Yellow earth wire to the terminal marked "E" or ⊕  
Brown/Red live wire to the terminal marked "L"  
Blue/Black neutral wire to the terminal marked "N"

### 3. Operation

#### Control panel overview



- |                           |                          |                        |
|---------------------------|--------------------------|------------------------|
| 1. Standby on/off         | 7. Manual mode active    | 13. Time display       |
| 2. Full/half power select | 8. Automatic mode active | 14. Target temperature |
| 3. Element on Indicator   | 9. Timer active          | 15. SET select         |
| 4. Low power active       | 10. UP select            | 16. OK select          |
| 5. High power active      | 11. DOWN select          |                        |
| 6. Open window active     | 12. Manual/Auto select   |                        |

Once the heater has been switched on using the rocker switch on the right-hand side the blue power LED indicator will be illuminated. You will then need to press the standby on/off button under the LED indicator to activate the panel.

#### Setting the clock

- Hold down the SET & OK buttons simultaneously until a beep sounds and the current day setting flashes.
- Use the UP/DOWN buttons to cycle to the correct day and press the SET button to store.
- The hour segment of the time display will flash with the current setting, use the UP/DOWN button to cycle to the current hour and press the SET button to store.
- The minute segment of the time display will flash with the current setting, use the UP/DOWN button to cycle to the current minute and press the SET button to store.

*i* The unit has a built-in battery that can retain the time for several days if the power is switched off to the unit. If the unit is off for longer periods the day & time may need to be reset upon next start up.

#### Setting the target temperature

- To set the target temperature of the heater use the UP/DOWN buttons to cycle to the desired value and press the OK button to confirm.

#### Switching between Full/Half power

- Press the full/half power select button to toggle between the settings. The current setting will be displayed by either the "LO" or "HI" icon on the display.

#### Switching between Manual/Auto operation

- Press the manual/auto select button to toggle between the settings. The current setting will be displayed by either the "M" or "A" icon on the display.

#### Setting the child lock

- Press the UP & DOWN buttons simultaneously and hold until a beep sounds. The target temperature display will be replaced by "[ ]" icon to indicate the panel is locked.
- Repeat the first step to unlock the heater.

#### Manual operation

The most basic setting of the heater allows the user to control when the heater is active by simply switching between on/off via the standby button. However, it is strongly recommended to consider setting a timed operation by using the 'automatic operation mode' where anticipated usage is predictable, to avoid energy wastage.

- Select the manual operation mode by pressing the manual/auto (M/A) select button. To confirm the selection check that the "M" icon is displayed.
- The heater will maintain the temperature displayed unless switched off or placed into standby mode.

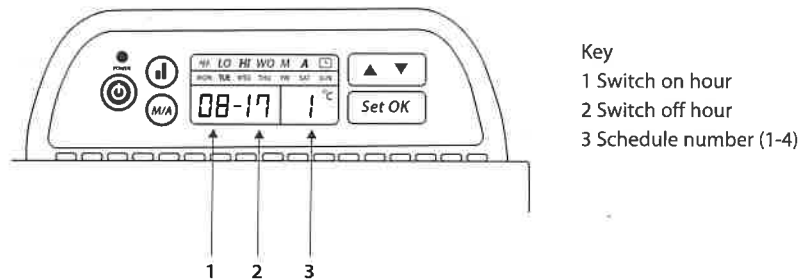
#### Manual operation (auto power off mode)

Whilst the heater is running in manual mode it is possible to control the length of time the heater will operate for using a basic timer function. Using this you can select the desired time for the heater to switch off. This feature helps to ensure the heater is not turned on and forgotten about.

- Select the manual operation mode by pressing the manual/auto (M/A) select button. To confirm the selection check that the “M” icon is displayed.
- Press the SET select button to enter the power off time programming screen.
- The hour setting will flash on the display. Use the UP/DOWN select buttons to change the desired hour for the heater to turn off and press the SET select button.
- The minute setting will now flash on the display and can be altered using the UP/DOWN select buttons as per the previous step.
- Once the desired hour & minute are displayed, press the OK select button to confirm the power off time setting.
- The heater will now display the “timer active” icon to confirm the feature is active.
- The power off time setting will be cleared if the heater is switched off or placed into standby mode.

#### Automatic operation (24/7 timer)

Example below shows a timer programmed for TUESDAY to switch ON at 8.00am (08) and OFF at 5.00pm (17). This is schedule number 1. See key for further information.



The automatic operation mode allows the heater to be operated by a user defined schedule. This offers up to four separate periods of operation to be defined for each day. This feature is strongly recommended where heat demand is predictable as it can help reduce energy wastage. In addition, this allows spaces to be heated in anticipation of the demand without the need for somebody to be present to turn it on; for example, in an office environment where staff arrive to begin work at 8.30am, turning the heater on at 8am to pre-warm the room.

- Select the automatic operation mode by pressing the manual/auto (M/A) select button. To confirm the selection check that the “A” icon is displayed.
- Press the SET select button to enter the 24/7 timer programming screen.
- The day setting will flash on the display. Use the UP/ DOWN select buttons to move between the available days and press the SET select button to confirm when the desired day to be programmed is flashing.
- The time display will now show a flashing hour setting, this is the hour at which the heater will automatically switch on (**note it is only possible to set the timer to full hours, minutes cannot be set**). Use the UP/DOWN select buttons to choose the desired hour to switch on and press the SET select button to confirm.
- The second option to be set on the time display will now flash, this is the hour at which heater will automatically switch off. Use the UP/DOWN select buttons to choose the desired hour to switch off and press the SET select button to confirm.
- The time display will now move to the next schedule you can create (shown by area ‘3’ on the annotated image) and the previous steps for setting the switch on and off hours should be followed.
- Up to 4 individual start stop times can be specified for each day but it is possible to exit and store the schedules once the desired number of operations have been set, simply press the OK select button at any time to store and exit the scheduling feature.
- Repeat all steps for each day of the week where timed operation is required. The default for each day and period of operation is off so it is not necessary to enter any days that are not required.

**i** When the heater is in a defined period of non-operation it will automatically go into standby mode. It can be woken up in order to alter any settings by pressing the standby on/off button but will go back into standby if no settings are changed within 10 seconds.

If you want to switch the heater on outside of the usual, programmed user set schedules you will need to override the automatic operation mode. This can be done by pressing the standby on/off button under the LED indicator to turn the heater on. You will then need to select the manual operation mode by pressing the manual/auto (M/A) select button. To confirm the selection check that the “M” icon is displayed. This is the most

basic method of operation and will mean the heater remains switched on, until it is turned off. Please note, to return to programmed user set schedules you will need to select the automatic operation mode by pressing the manual/auto (M/A) select button prior to switching off. To confirm the selection check that the "A" icon is displayed.

#### Frost protection

The heater has a built-in frost protection mode which will not allow the temperature of its surroundings to drop below 5°C. This feature will operate regardless of any settings that have been selected on the heater. The only way to prevent this feature operating is to switch off the heater at the main switch (not standby).

#### Window open detection

In the event of a rapid drop in temperature the window open feature will cease heating to avoid energy wastage. "WO" will flash on the display to indicate the event has occurred. To clear the event the unit should be switch off and then back on via the standby button. It is possible to switch the feature on or off. Press and hold the "OK" button for 10 seconds. The display of the heater will show "WO" when the feature is turned on.

### 4. Maintenance

The heater should be inspected and cleaned periodically, attention should be given to the inlet grilles at the base of the unit and the outlet louvres at the front of the heater. Ensure they are cleared of dust or other debris that may causes a blockage and in turn reduce the airflow in and out of the heater, which if unchecked may lead to the unit running at hotter temperatures.

- Ensure the heater is isolated from the power supply and has fully cooled down before commencing any cleaning of the heater.
- Use a soft brush or vacuum cleaner to gently remove any debris from the inlet grilles and outlet louvres.
- Use a non-abrasive, damp cloth with soapy water to clean the main body of the heater. Take care not to use excessive amounts of water that could run into main body of the heater.

⚠ Sooty deposits can adhere to the louvres of the heater and the surrounding surfaces of the heater install. This can be caused by excess dust in and around the heater burning off the heating element after prolonged periods of non-use. This does not indicate an over-heat occurrence and the effects can be reduced with regular cleaning of the heater.

### 5. Specifications

	AC500T	AC1000T	AC1500T	AC2000T	AC2400T
Supply	230V AC 50Hz				
Power (half/full)	250/ 500W	500/ 1000W	750/ 1500W	1000/ 2000W	1200/ 2400W
Water resistance	IP24				
Class	I				
Weight	3.4kg	3.4kg	4.7kg	5.2kg	7.4kg
Thermal protection	Auto reset thermostat x 2				
Size (w x d x h)	460x90x 400mm	460x90x 400mm	595x90x 400mm	830x90x 400mm	950x90x 400mm

**Model Identifiers:**

**Accona panel heaters AC500T,AC1000T,AC1500T, AC2000T & AC2400T**

Item	Symbol	Value					Unit
		AC500T	AC1000T	AC1500T	A2000T	A2400T	
<b>Heat output</b>							
Nominal heat output	Pnom	0.5	1.0	1.5	2.0	2.4	kW
Minimal heat output (indicative)	Pmin	0.25	0.5	0.75	1.0	1.2	kW
Maximum continuous heat output	Pmax, C	0.5	1.0	1.5	2.0	2.4	kW
<b>Auxillary electricity consumption</b>							
At nominal heat output	elmax	0.465	0.990	1.423	1.890	2.230	kW
At minimum heat output	elmin	0.231	0.496	0.723	0.946	1.132	kW
In standby mode	eISB	0.38	0.38	0.38	0.38	0.38	W

Item	Unit
<b>Type of heat input, for electric storage local space heaters (select one)</b>	
manual heat charge control with integrated thermostat	No
manual heat charge control with room and/or outdoor temperature feedback	No
electronic heat charge control with room and/or outdoor temperature feedback	No
fan assisted heat output	No
<b>Type of heat output/room temperature control (select one)</b>	
single stage heat output and no room temperature control	No
two or more manual stages, no room temperature control	No
with mechanic thermostat room temperature control	No
with electronic thermostat room temperature control	No
electronic room temperature control plus day timer	No
electronic room temperature control plus week timer	Yes
<b>Other control options (multiple selections possible)</b>	
room temperature control, with presence detection	No
room temperature control, with open window detection	Yes
with distance control option	No
with adaptive start control	No
with working time limitation	No
with black bulb sensor	No

## 6. Troubleshooting

Error codes and their meaning

E1 – Temperature sensor error

E3 – Overheat event

WO flashing – Open window event, resolve cause and then turn the heater off and on via the standby button to clear.



In the case of an E3 Overheat event the heater will beep until any button is pressed to clear the fault. The cause of the overheat should be investigated before continuing to use the heater.

## 7. Guarantee and service policy

This product is covered by a standard parts or replacement warranty for a period of 12 months from the date of purchase.

If there is a manufacturing defect within the warranty period we will send spare parts, repair and return the unit or, at our discretion, supply a replacement product.

Incorrect installation and failure to follow correct operating instructions are excluded. Consequential costs such as labour charges or damage to surroundings are expressly excluded.

### Contact us

If you experience a problem with this product you should first contact our service department on 01924 225 200 before taking any further action.

Experience has shown that issues can often be resolved without the need to return or uninstall the product.





**INFORMATION FOR CORRECT DISPOSAL OF THE PRODUCT IN ACCORDANCE WITH THE EUROPEAN DIRECTIVE 2012/19/EU.**

At the end of its working life this equipment must not be disposed of as household waste. It must be taken to a local authority waste collection centre or to a dealer providing this service. Disposing of electrical and electronic equipment separately enables its components to be recovered and recycled to obtain significant savings in energy and resources. In order to underline the duty to dispose of this equipment separately, the product is marked with a crossed out dustbin.

Hyco Manufacturing Ltd  
Normandy Court  
Express Way  
Castleford, WF10 5NR

T 01924 225 200  
F 01924 225 210  
E [sales@hyco.co.uk](mailto:sales@hyco.co.uk)

[hyco.co.uk](http://hyco.co.uk)